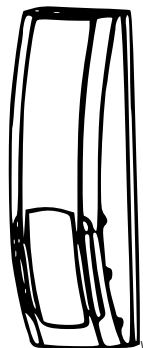


# PATROL® - 106PET

CURTAIN PIR  
DETECTOR FOR  
INDOOR USE



**GSN** Electronic Company Ltd.

1

**PATROL-106PET** Passive infrared detector designed for use in indoor areas.

**PATROL-106PET** creates a narrow protective curtain allowing free movement outside the protected area without triggering the alarm.

**PATROL-106PET** provides professional protection windows, showcase, doors and other openings.

**PATROL-106PET** provides pet immune detection up to 30kg.

2

## FEATURES

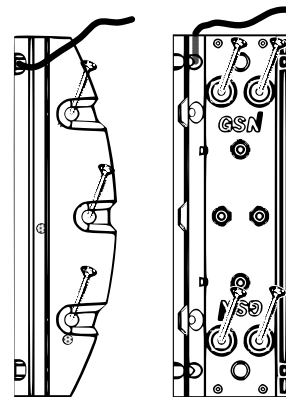
- IMMUNE TO PETS UP TO 30KG
- HIGH RFI & EMI IMMUNITY
- DETECTION RANGE – 12M
- HEIGHT INSTALLATION – 2.5-5M
- INDIVIDUAL PIR SENSITIVITY ADJUSTMENT
- AUTOMATIC TEMPERATURE COMPENSATION
- LIGHT PROTECTION
- DOUBLE RFI/EMI PROTECTION
- WEATHERPROOF HOUSING

3

## DETECTOR INSTALLATION MANUAL

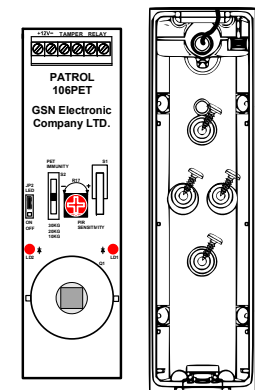
1. Run the installation wire through the bracket-wiring hole.
2. Mount bracket onto the wall and affix with screws, using the knockouts.

Corner installation Wall installation



4

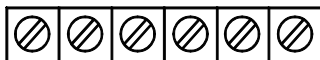
3. Run the installation wire through detector back cover.
4. Mount back cover of the detector to the bracket using four screws.
5. Insert the PCB and connect wires according to the schematic.
6. Close front cover and affix with screw.



5

## TERMINAL BLOCK CONNECTION

+12V - TAMPER RELAY



**Terminals “+12V-“** – for connection to the power supply of the control unit.

**Terminals “Tamper”**  
Connect the wires according to the scheme.

**Terminals “Relay”** – PIR detector relay output.

6

## PATROL-106PET MOUNTING OPTIONS

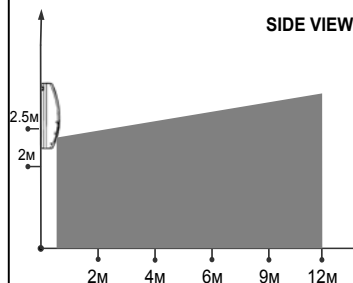
Detector can be installed vertically (see illustration). Recommended installation height is **2.5m**.

\* For installation over **2.5m**, mount the detector at an angle of **20** degrees.

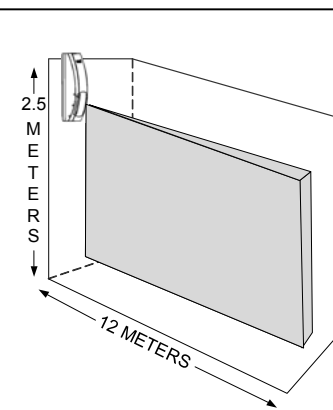
**NOTE!** Avoid installing detector where direct sunlight can permeate in pyro sensor.

7

## DETECTION AREA

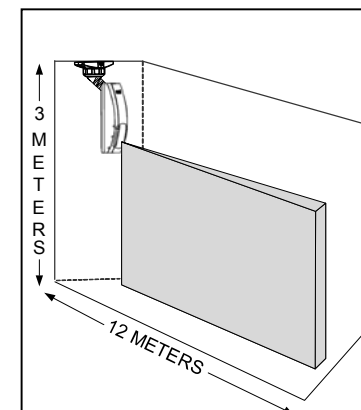


8



Wall Installation

9



Ceiling Installation with using the bracket: **UBL-1117**.

10

**S2 ANIMAL WEIGHT  
REGULATOR 10,20,30 KG.**

**PET  
IMMUNITY**



**30kg  
20kg  
10kg**

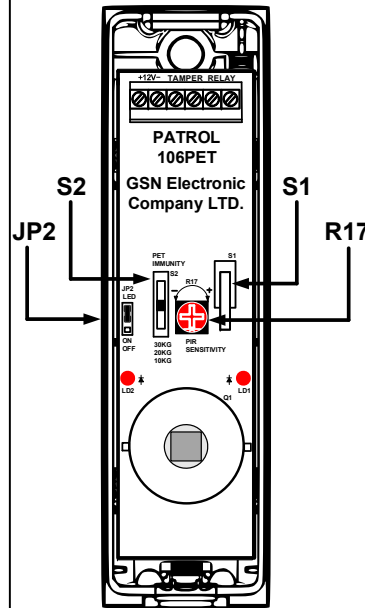
**JP2 ON/OFF LED JUMPER**

**LED**



**ON  
OFF**

11



12

**S1 TAMPER BUTTON.**

**R17  
PIR SENSITIVITY  
ADJUSTMENT.**



13

**PIR ADJUSTMENT**

1. Remove the front cover.
2. Connect the power and wait for LED to stop flashing (warm-up time 30 sec).
3. Replace the cover.
4. Use the "PIR SENSITIVITY" potentiometer to adjust the PIR sensitivity, moving within the protected area. The red LED should flash with step.

14

**TECHNICAL  
SPECIFICATIONS**

Input voltage:.....9 – 16V  
Current consumption:  
In standby mode: ..... 11mA  
In alarm mode:.....19mA  
Warm up period:.....30sec  
Detection range:.....12m  
Detection speed  
range:.....0.3 – 3m/sec  
Relay output:.....  
..... NC/NO; 60V; 100mA; 16Ω  
Alarm period:.....3sec  
Reset time:.....5±1sec  
Installation height:.....2.5m  
Light immunity:.....  
.....no less than 10000 lux

15

Operating temperature  
range:.....- 40°C +60°C

Storage temperature  
range:.....- 60°C +80°C

RFI immunity: 30V/m at a  
frequency range 30MHz-2GHz

EMI immunity:.....50,000V

Dimensions:.....  
.....30mm x 25mm x 111mm

Weight:.....40gr.

16

**WARRANTY:**

G.S.N. Electronic Company Ltd. warrants this product to be free from defects in materials and workmanship under normal use and service for a period of five year from the last day of the week and year whose numbers are printed on the printed circuit board inside this product. GSN obligation is limited to repairing or replacing this product, at its option, free of charge for materials or labor, if it is proved to be defective in materials or workmanship under normal use and service. GSN shall have no obligation under this Limited Warranty or otherwise if the product is altered or improperly repaired or serviced by anyone other than GSN. GSN shall not be liable for any malfunction that may be caused due to improper installation. The customer should take all precaution necessary to avoid and eliminate electro-static discharges and/or any other disturbances that might interfere with its operation of the product. There are no warranties, expressed or implied, of merchantability or fitness for a particular purpose or otherwise, which extend beyond the description on the face hereof. In no case shall GSN be liable to anyone for any consequential or incidental damages for breach of this or any other warranty, expressed or implied, or upon any other basis of liability whatsoever, even if the loss or damage is caused by GSN own negligence or fault. GSN does not represent that this product can not be compromised or circumvented; that this product will prevent any person injury or property loss or damage by burglary, robbery, fire or otherwise; or that this product will in all cases provide adequate warning or protection. Purchaser understands that a properly installed and maintained product can only reduce the risk of burglary, robbery or other events occurring without providing an alarm, but it is not insurance or a guarantee that such will not occur or that there will be no personal injury or property loss or damage as a result. Consequently, GSN shall have no liability for any personal injury, property damage or any other loss based on claim that this product failed to give any warning. However, if GSN is held liable, whether directly or indirectly, for any loss or damage arising under this limited warranty or otherwise, regardless of cause or origin, GSN maximum liability shall not in any case exceed the purchase price of this product, which shall be the complete and exclusive remedy against.

USER MANUAL P/N: P108VER.2A

17

18

19

20