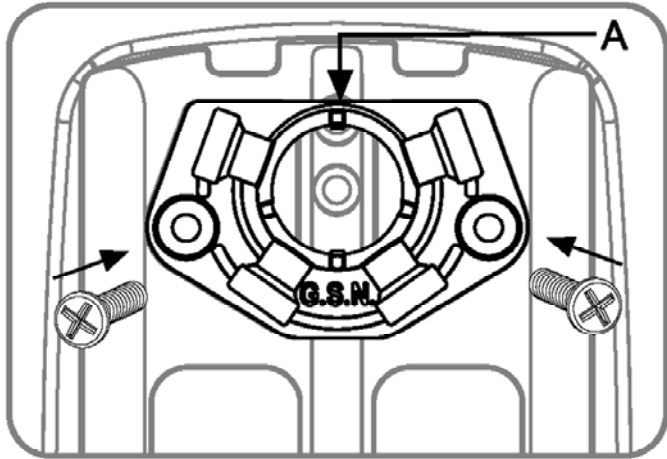
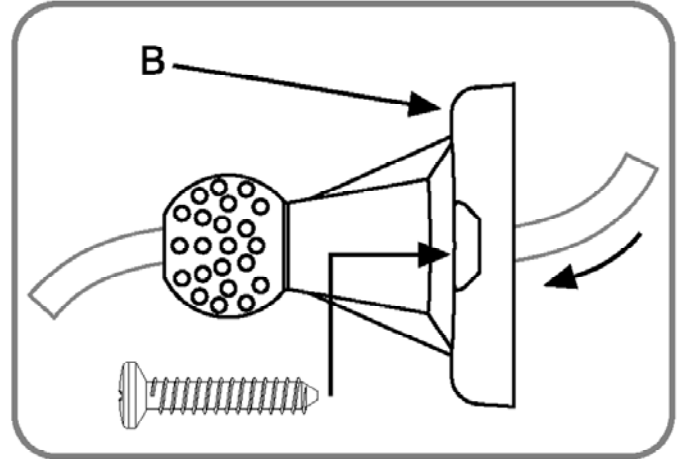


UNIVERSAL BRACKET MODEL: UBL-1110

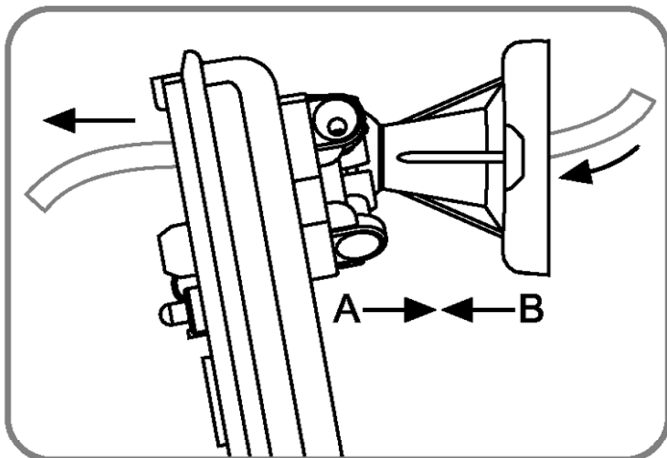
INSTALLATION MANUAL



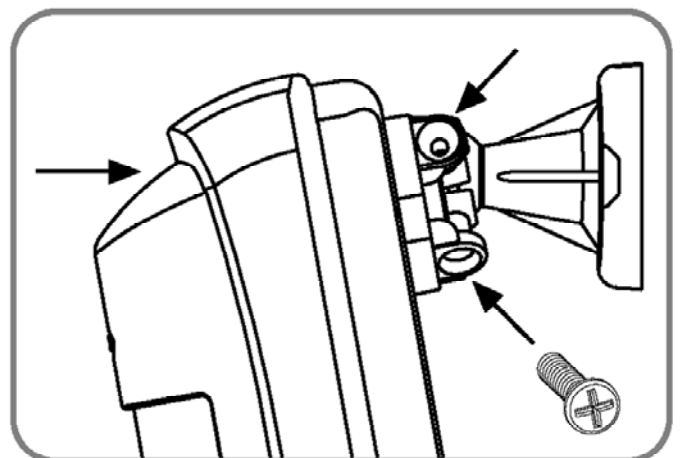
1. Place "A" component on the back cover of the detector and fasten it with two screws.



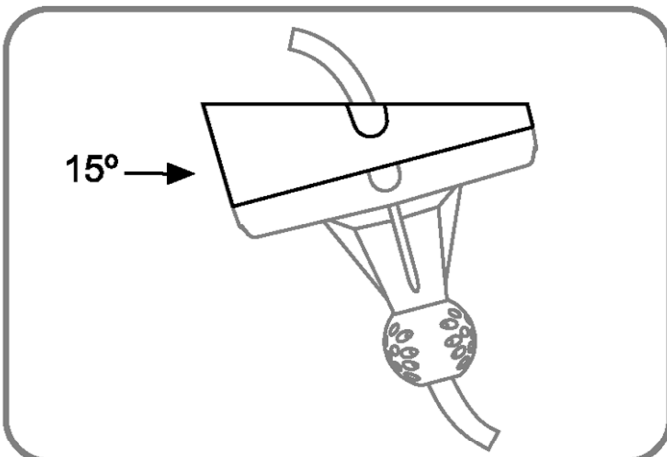
2. Run the installation wire through "B" component. Fasten "B" component to the wall with two screws.



3. Make a hole in the detector's back cover for the installation wire. Run the wire through "A" component inside the detector. Attach the back cover ("A" component) to "B" component.



4. Connect the wires to the terminal block and close the detector's cover. Adjust the desirable angle and fix with two screws.



5. Use additional prop for corner mounting.